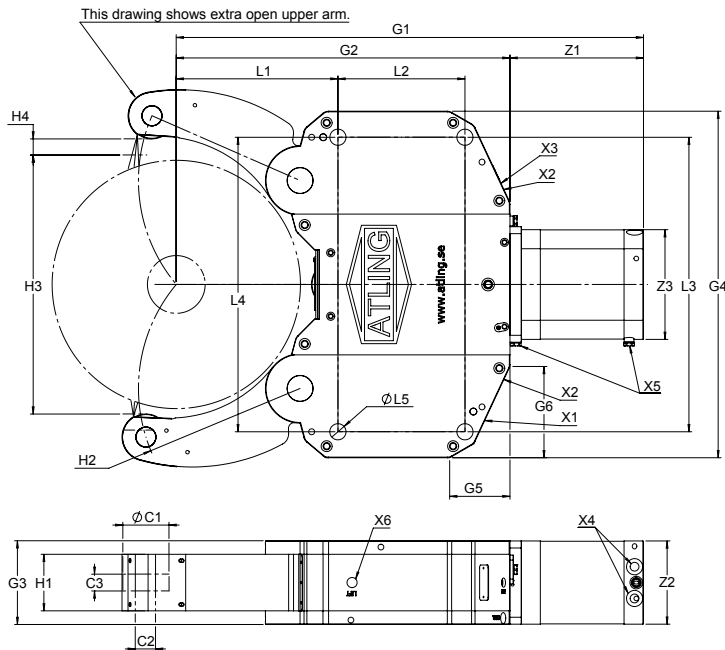


DIMENSIONS ASE



X1 - Central lubrication connection
G1/8"

X2 - Air barrier connection
G1/8"

X3 - Water flush connection
G1/4"

X4 - Hydraulic Open/Close
G3/8"

X5 - Stroke control thread
M12x1

Min operating pressure - 10 bar

Model size		AS6E	AS7E	AS8E
Gripping range		30-255	45-320	85-360
Roller	(mm) C1	Ø52	Ø62	Ø72
	(mm) C2	Ø20	Ø30	Ø30
	(mm) C3	25	29	29
Lever	(mm) H1	53	68	68
	(mm) H2	R168	R215	R235
	(mm) H3	267	331	377
	(mm) H4	24	27	38
Housing	(mm) G1	563	669	697
	(mm) G2	403	465	493
	(mm) G3	110	145	145
	(mm) G4	438	500	500
	(mm) G5	113	105	100
	(mm) G6	20	38	42
Hole pattern	(mm) L1	146	178	198
	(mm) L2	240	270	270
	(mm) L3	365	400	400
	(mm) L4	365	400	400
	(mm) L5	Ø23	Ø23	Ø23
Cylinder	(mm) Z1	182	204	204
	(mm) Z2	109	144	144
	(mm) Z3	140	155	155
Lifting threads	(mm) X6	M16	M16	M20
Max gripping force/roller	(daN)	1480	1830	1830
Max roller speed	(m/min)	890	655	765
Centering accuracy	(mm)	0,06	0,06	0,06
Repeatability	(mm)	0,005	0,005	0,005
Max operating pressure	(bar)	70	70	70
Weight	(kg)	92	167	165