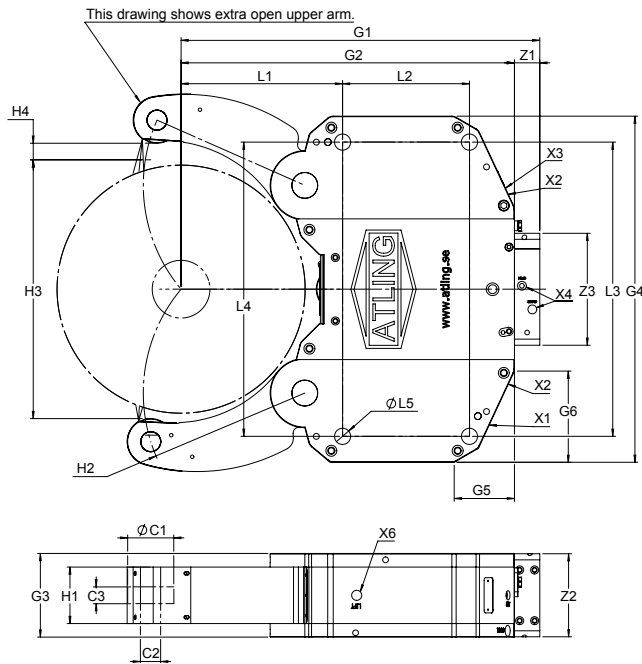


# DIMENSIONS ASI



**X1** - Central lubrication connection  
G1/8"

**X2** - Air barrier connection  
G1/8"

**X3** - Water flush connection  
G1/4"

**X4** - Hydraulic Open/Close  
G3/8"

Min operating pressure - 20 bar

Model size		AS61	AS71	AS81
Gripping range		30-255	45-320	85-360
Roller	(mm) C1	Ø52	Ø62	Ø72
	(mm) C2	Ø20	Ø30	Ø30
	(mm) C3	25	29	29
Lever	(mm) H1	53	68	68
	(mm) H2	R168	R215	R235
	(mm) H3	267	331	377
	(mm) H4	24	27	38
Housing	(mm) G1	434	509	537
	(mm) G2	403	465	493
	(mm) G3	110	145	145
	(mm) G4	438	500	500
	(mm) G5	113	105	100
	(mm) G6	20	38	42
Hole pattern	(mm) L1	146	178	198
	(mm) L2	240	270	270
	(mm) L3	365	400	400
	(mm) L4	365	400	400
	(mm) L5	Ø23	Ø23	Ø23
Cylinder	(mm) Z1	54	44	44
	(mm) Z2	109	144	144
	(mm) Z3	158	164	164
Lifting threads	(mm) X6	M16	M16	M20
Max gripping force/roller	(daN)	1480	1830	1830
Max roller speed	(m/min)	890	655	765
Centering accuracy	(mm)	0,06	0,06	0,06
Repeatability	(mm)	0,005	0,005	0,005
Max operating pressure	(bar)	70	70	70
Weight	(kg)	84	155	153